

SECTION 11

Cylinders

<i>Make</i>	<i>Model</i>	<i>Page</i>
Cross	DB Series Cylinders	11.01~11.02
Cross	DR Series Cylinders	11.03
Cross	DER Series Cylinders	11.03
Cross	Stroke Control Collars	11.04
Prince	Stroke Control Segments	11.04

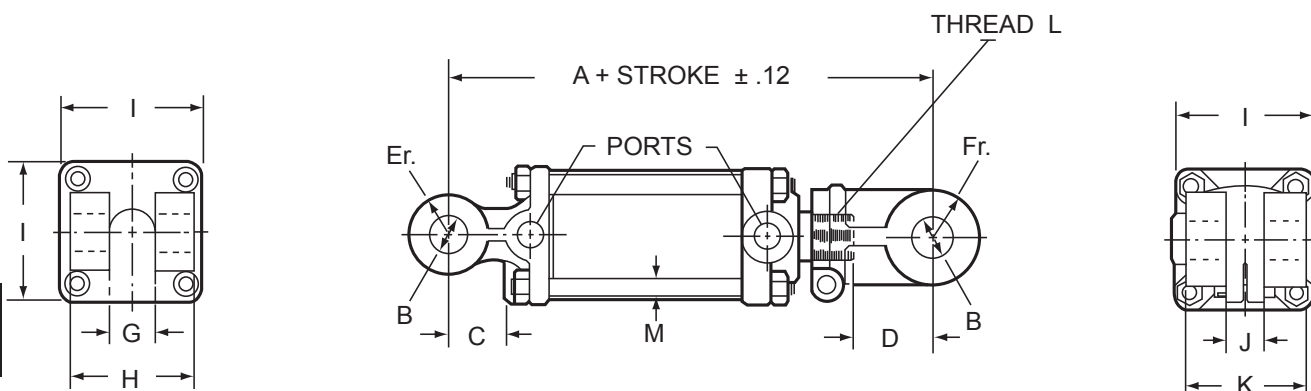




DB Series Cross Tie-Rod Cylinders

Standard Tie-Rod Cylinders

Stock No.	Model	Description	Bore		Stroke		Rod Dia in	Closed Centre in	Port Size	List Price
			in	mm	in	mm				
6.00" Stroke Cylinders										
026644	206DB	Hydraulic Cylinder	2.00"	50.80	6.00"	152.40	1.06"	16.25"	9/16" UNO	
027372	2506DB	Hydraulic Cylinder	2.50"	63.50	6.00"	152.40	1.06"	16.25"	3/4" UNO	
8.00" Stroke Cylinders										
030686	208DB	Hydraulic Cylinder	2.00"	50.80	8.00"	203.20	1.06"	20.25"	9/16" UNO	
029229	2508DB	Hydraulic Cylinder	2.50"	63.50	8.00"	203.20	1.06"	20.25"	3/4" UNO	
029215	2508DB	Hydraulic Cylinder	2.50"	63.50	8.00"	203.20	1.25"	20.25"	3/4" UNO	
028298	308DB	Hydraulic Cylinder	3.00"	73.50	8.00"	203.20	1.25"	20.25"	3/4" UNO	
026492	308DB	Hydraulic Cylinder	3.00"	73.50	8.00"	203.20	1.50"	20.25"	3/4" UNO	
029612	3508DB	Hydraulic Cylinder	3.50"	88.90	8.00"	203.20	1.25"	20.25"	3/4" UNO	
026494	3508DB	Hydraulic Cylinder	3.50"	88.90	8.00"	203.20	1.50"	20.25"	3/4" UNO	
029773	408DB	Hydraulic Cylinder	4.00"	101.60	8.00"	203.20	1.25"	20.25"	3/4" UNO	
026496	408DB	Hydraulic Cylinder	4.00"	101.60	8.00"	203.20	1.50"	20.25"	3/4" UNO	
026922	508DB	Hydraulic Cylinder	5.00"	127.00	8.00"	203.20	1.50"	20.25"	3/4" UNO	
10.00" Stroke Cylinders										
027213	210DB	Hydraulic Cylinder	2.00"	50.80	10.00"	254.00	1.06"	20.25"	9/16" UNO	
029111	2510DB	Hydraulic Cylinder	2.50"	63.50	10.00"	254.00	1.25"	20.25"	3/4" UNO	



Cross 'DB' Cylinder Dimension Table

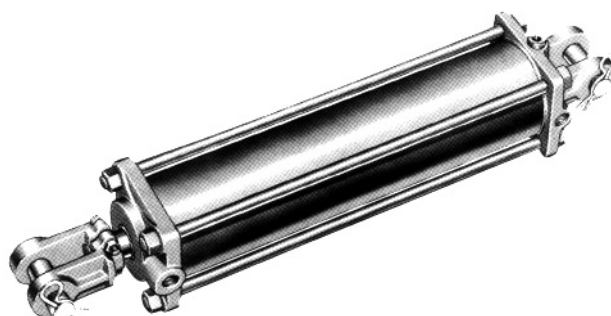
Bore Dia.	A	B	C	D	Er	Fr	G	H	I	J	K	L	M
2.00 (51)	See 'Closed Centre' dimension in cylinder table	1.015 (25.8)	1.625 (41.3)	2.125 (53.9)	0.875 (22.2)	1.000 (25.4)	1.125 (28.6)	2.500 (63.5)	2.875 (73.0)	1.125 (28.6)	2.625 (66.7)	1-1/16 -12	0.375 (9.5)
2.50 (64)		1.015 (25.8)	1.625 (41.3)	2.125 (53.9)	1.000 (25.4)	1.000 (25.4)	1.125 (28.6)	2.625 (66.7)	3.250 (82.6)	1.125 (28.6)	2.625 (66.7)	1-1/16 -12	0.375 (9.5)
3.00 (76)		1.015 (25.8)	1.625 (41.3)	2.125 (53.9)	1.000 (25.4)	1.000 (25.4)	1.125 (28.6)	2.625 (66.7)	3.750 (95.3)	1.125 (28.6)	2.625 (66.7)	1-1/4 -12	0.500 (12.7)
3.50 (89)		1.015 (25.8)	1.625 (41.3)	2.125 (53.9)	1.000 (25.4)	1.250 (31.8)	1.250 (31.8)	2.750 (69.8)	4.250 (107.9)	1.250 (31.8)	2.750 (69.8)	1-1/4 -12	0.562 (14.3)
4.00 (102)		1.015 (25.8)	2.000 (50.8)	2.125 (53.9)	1.125 (28.6)	1.250 (31.8)	1.250 (31.8)	2.875 (73.0)	5.00 (127)	1.250 (31.8)	2.750 (69.8)	1-1/4 -12	0.625 (15.9)
5.00 (127)		1.265 (32.1)	2.312 (58.7)	2.125 (53.9)	1.500 (38.1)	1.250 (31.8)	1.375 (34.9)	3.500 (88.9)	6.000 (152.4)	1.250 (31.8)	2.750 (69.8)	1-1/2 -12	0.750 (19.0)



DB Series Cross Tie-Rod Cylinders

Standard Tie-Rod Cylinders

Stock No.	Model	Description	Bore		Stroke		Rod Dia in	Closed Centre in	Port Size	List Price
			in	mm	in	mm				
12.00" Stroke Cylinders										
028743	212DB	Hydraulic Cylinder	2.00"	50.80	12.00"	304.80	1.06"	24.25"	9/16" UNO	
026916	2512DB	Hydraulic Cylinder	2.50"	63.50	12.00"	304.80	1.25"	24.25"	3/4" UNO	
028865	312DB	Hydraulic Cylinder	3.00"	73.50	12.00"	304.80	1.50"	24.25"	3/4" UNO	
028742	3512DB	Hydraulic Cylinder	3.50"	88.90	12.00"	304.80	1.25"	24.25"	3/4" UNO	
026642	412DB	Hydraulic Cylinder	4.00"	101.60	12.00"	304.80	1.50"	24.25"	3/4" UNO	
16.00" Stroke Cylinders										
028866	216DB	Hydraulic Cylinder	2.00"	50.80	16.00"	406.40	1.06"	28.25"	9/16" UNO	
028895	2516DB	Hydraulic Cylinder	2.50"	63.50	16.00"	406.40	1.25"	28.25"	3/4" UNO	
026647	316DB	Hydraulic Cylinder	3.00"	73.50	16.00"	406.40	1.50"	28.25"	3/4" UNO	
026648	3516DB	Hydraulic Cylinder	3.50"	88.90	16.00"	406.40	1.50"	28.25"	3/4" UNO	
027275	416DB	Hydraulic Cylinder	4.00"	101.60	16.00"	406.40	1.50"	28.25"	3/4" UNO	
028967	516DB	Hydraulic Cylinder	5.00"	127.00	16.00"	406.40	1.50"	28.25"	3/4" UNO	
18.00" Stroke Cylinders										
028867	2518DB	Hydraulic Cylinder	2.50"	63.50	18.00"	457.20	1.25"	30.25"	3/4" UNO	
028868	318DB	Hydraulic Cylinder	3.00"	73.50	18.00"	457.20	1.50"	30.25"	3/4" UNO	
029169	3518DB	Hydraulic Cylinder	3.50"	88.90	18.00"	457.20	1.50"	30.25"	3/4" UNO	
029121	418DB	Hydraulic Cylinder	4.00"	101.60	18.00"	457.20	1.50"	30.25"	3/4" UNO	
20.00" Stroke Cylinders										
030169	2520DB	Hydraulic Cylinder	2.50"	63.50	20.00"	508.00	1.25"	32.25"	3/4" UNO	
24.00" Stroke Cylinders										
028869	2524DB	Hydraulic Cylinder	2.50"	63.50	24.00"	609.60	1.25"	34.25"	3/4" UNO	
026919	324DB	Hydraulic Cylinder	3.00"	73.50	24.00"	609.60	1.50"	36.25"	3/4" UNO	
026930	3524DB	Hydraulic Cylinder	3.50"	88.90	24.00"	609.60	1.50"	34.25"	3/4" UNO	
027269	424DB	Hydraulic Cylinder	4.00"	101.60	24.00"	609.60	1.50"	34.62"	3/4" UNO	
30.00" Stroke Cylinders										
029230	2530DB	Hydraulic Cylinder	2.50"	63.50	30.00"	762.00	1.25"	42.25"	3/4" UNO	



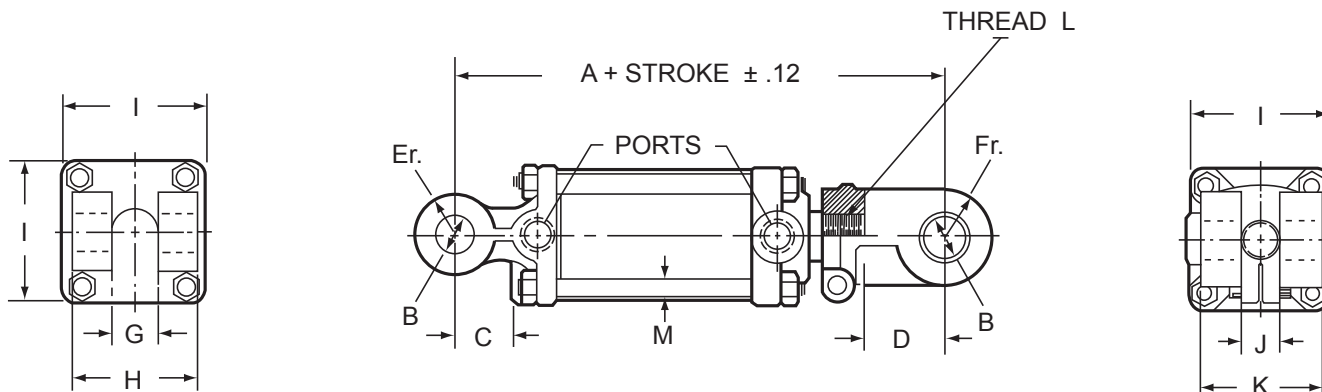


DR Series

Cross Tie-Rod Re-Phasing Cylinders

Re-Phasing Tie-Rod Cylinders

Stock No.	Model	Description	Bore		Stroke		Rod Dia in	Closed Centre in	Port Size	List Price
			in	mm	in	mm				
8.00" Stroke Re-Phasing Cylinders										
027016	308DR	Hydraulic Cylinder	3.00"	73.50	8.00"	203.20	1.25"	20.25"	3/4" UNO	
026866	32508DR	Hydraulic Cylinder	3.25"	82.55	8.00"	203.20	1.25"	20.25"	3/4" UNO	
028377	3508DER	Hydraulic Cylinder	3.50"	88.90	8.00"	203.20	1.25"	20.25"	3/4" UNO	
027293	37508DR	Hydraulic Cylinder	3.75"	95.25	8.00"	203.20	1.37"	20.25"	3/4" UNO	
026912	408DER	Hydraulic Cylinder	4.00"	101.60	8.00"	203.20	1.37"	20.25"	3/4" UNO	
12.00" Stroke Re-Phasing Cylinders										
029170	312DER	Hydraulic Cylinder	3.00"	73.50	12.00"	304.80	1.25"	24.25"	3/4" UNO	
028999	32512DER	Hydraulic Cylinder	3.25"	82.55	12.00"	304.80	1.25"	24.25"	3/4" UNO	
027403	3512DER	Hydraulic Cylinder	3.50"	88.90	12.00"	304.80	1.25"	24.25"	3/4" UNO	
027317	37512DR	Hydraulic Cylinder	3.75"	95.25	12.00"	604.80	1.37"	24.25"	3/4" UNO	
027315	412DR	Hydraulic Cylinder	4.00"	101.60	12.00"	304.80	1.37"	24.25"	3/4" UNO	
027313	42512DR	Hydraulic Cylinder	4.25"	107.95	12.00"	304.80	1.37"	24.25"	3/4" UNO	



Cross 'DR' Cylinder Dimension Table

Bore Dia.	A	B	C	D	Er	Fr	G	H	I	J	K	L	M
3.00 (76)	12.25 (311.1)	1.015 (25.8)	1.625 (41.3)	2.125 (53.9)	1.000 (25.4)	1.250 (31.8)	1.125 (28.6)	2.625 (66.7)	3.750 (31.8)	1.250 (31.8)	2.750 (69.8)	1-1/4 -12	0.500 (12.7)
3.25 (83)	12.25 (311.1)	1.015 (25.8)	1.625 (41.3)	2.125 (53.9)	1.000 (25.4)	1.250 (31.8)	1.250 (31.8)	2.750 (69.8)	4.250 (107.9)	1.250 (31.8)	2.750 (69.8)	1-1/4 -12	0.562 (14.3)
3.50 (89)	12.25 (311.1)	1.015 (25.8)	1.625 (41.3)	2.125 (53.9)	1.000 (25.4)	1.250 (31.8)	1.250 (31.8)	2.750 (69.8)	4.250 (107.9)	1.250 (31.8)	2.750 (69.8)	1-1/4 -12	0.562 (14.3)
3.75 (95)	12.25 (311.1)	1.015 (25.8)	2.000 (50.8)	2.125 (53.9)	1.125 (28.6)	1.250 (31.8)	1.250 (31.8)	2.875 (73.0)	5.000 (127)	1.250 (31.8)	2.750 (69.8)	1-1/4 -12	0.625 (15.9)
4.00 (102)	12.25 (311.1)	1.015 (25.8)	2.000 (50.8)	2.125 (53.9)	1.125 (28.6)	1.250 (31.8)	1.250 (31.8)	2.875 (73.0)	5.000 (127)	1.250 (31.8)	2.750 (69.8)	1-1/4 -12	0.625 (15.9)
4.25 (108)	12.25 (311.1)	1.265* (32.1)	2.000 (50.8)	2.125 (53.9)	1.375 (34.9)	1.250 (31.8)	1.250 (31.8)	3.125 (79.4)	5.500 (139.7)	1.250 (31.8)	2.750 (69.8)	1-1/4 -12	0.750 (19.0)
4.50 (114)	12.25 (311.1)	1.265* (32.1)	2.000 (50.8)	2.125 (53.9)	1.375 (34.9)	1.250 (31.8)	1.250 (31.8)	3.125 (79.4)	5.500 (139.7)	1.250 (31.8)	2.750 (69.8)	1-1/2 -12	0.750 (19.0)
4.75 (121)	12.25 (311.1)	1.265* (32.1)	2.312 (58.7)	2.125 (53.9)	1.500 (38.1)	1.250 (31.8)	1.375 (34.9)	3.500 (88.9)	6.000 (152.4)	1.250 (31.8)	2.750 (69.8)	1-1/2 -12	0.750 (19.0)
5.00 (127)	12.25 (311.1)	1.265* (32.1)	2.312 (58.7)	2.125 (53.9)	1.500 (38.1)	1.250 (31.8)	1.375 (34.9)	3.500 (88.9)	6.000 (152.4)	1.250 (31.8)	2.750 (69.8)	1-1/2 -12	0.750 (19.0)

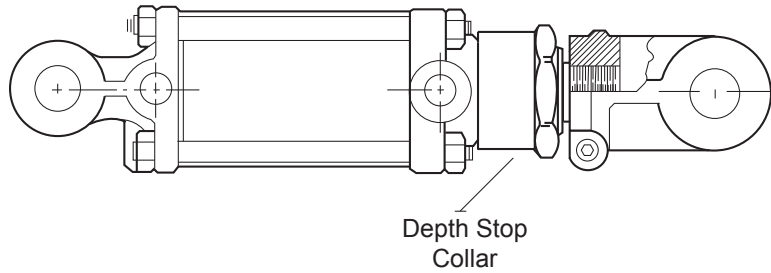
*1.015 optional. Must be specified on order.



Cylinder Rod Stroke Control

Cross Mechanical Depth Stop Collars

Stock No.	Description	To Fit Rod Dia.	List Price
1E60001	Mechanical Depth Stop Collar	1.06"	
1E60011	Mechanical Depth Stop Collar	1.25"	

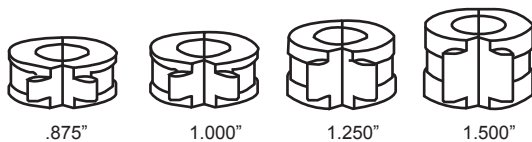
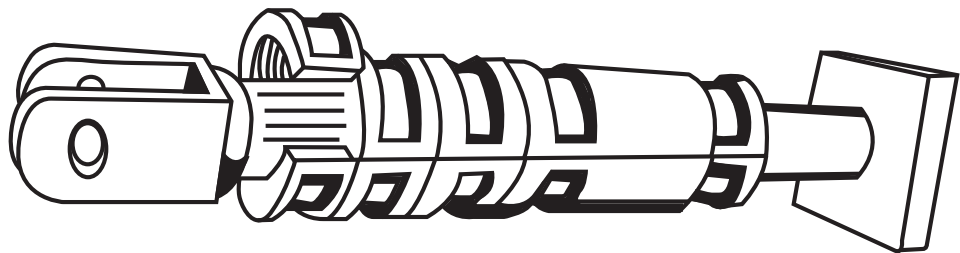


Alloy Stroke Control Segment Kits

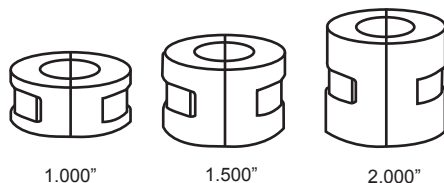
Stock No.	Description	To Fit Rod Dia.	List Price
PM-SLCS-10	Stroke Control Segment Kit	1-1/8" to 1-1/2"	
PM-SLCS-14	Stroke Control Segment Kit	1-3/4" to 2.00"	
PM-SLCS-15	Stroke Control Segment Kit	1-3/4" to 2.00"	

Collars are made of die cast aluminium in split halves. Flat steel springs are easy to open and snap onto the cylinder rod.

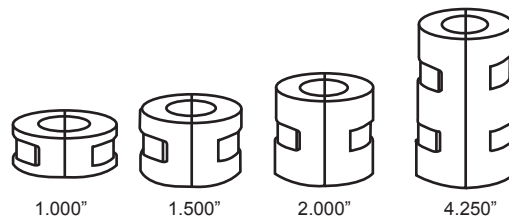
- Light Weight
- Durable
- Non-Abrasive



PM-SLCS-10: For 1.125 thru 1.500 dia rods
(This set has finger tabs, with relief notches)



PM-SLCS-14: For 1.750 thru 2.000 dia rods
(This set has no finger tabs)



PM-SLCS-15: For 1.750 thru 2.000 dia rods
(This set has no finger tabs)