

HPTL Series

Top Link Hydraulic Cylinders



Exclusively distributed by:



The Hypower HPTL Top Link series cylinders are designed to suit all major tractor OEM's including Kubota, Case, John Deere, CAT, New Holland, Volvo, JCB and more.

All cylinders feature barrels that are precision honed and inspected for smoothness and cylindricity to provide longer seal life. Rods are hard chrome plated to resist dirt and corrosion. Each cylinder is pressure tested before shipping.

GENERAL SPECIFICATIONS

Rated working pressure (Max. relief valve setting at full flow) 3000 psi (210 bar)

Maximum shock and surge pressure..... 4000 psi (276 bar)

Bore diameters	1.50	2.00	2.50	3.00	in
	38	51	64	76	mm

MATERIAL SPECIFICATIONS

Cylinder Barrels Grade 1026 Steel

Pistons C1045 Steel

Rods Hard chrome plated C1045 Steel

Base Castings Steel

Top Link Mount.....Steel

Rod Cap S.G. Iron

Seals Hallite T83

STANDARD FEATURES

- Cylinder barrels are precision honed to provide long seal life.
- Rods are chrome plated and polished for long wear life and for protection from external damage and corrosion.
- Rod wipers clean dirt and foreign matter from rod to insure long seal life.
- SAE straight thread o-ring ports.
- CAT1 or CAT2 Ball End Mount

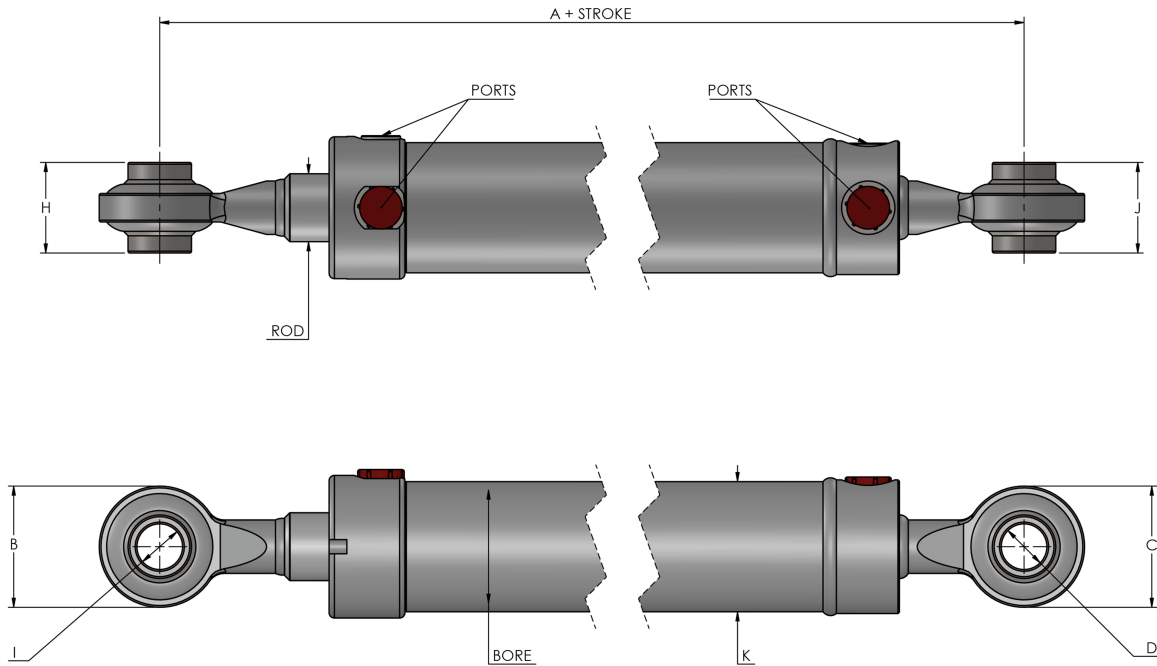
OPTIONAL FEATURES

- Stop tubes
- 2PAC Gloss Black Paint



HPTL Series

Top Link Hydraulic Cylinders



HPAG CYLINDERS - FEMALE CLEVIS

Code	Bore	Rod	Ports	A mm	B mm	C mm	D	H mm	I mm	J mm	K mm
HPAG	2.00	1.25"	3/4"	311	68	68	1"	51	1"	51	60
HPAG	2.50	1.50"	3/4"	311	55	55	3/4"	45	3/4"	45	73
HPAG	2.50	1.50"	3/4"	311	68	68	1"	51	1"	51	73
HPAG	3.00	1.50"	3/4"	311	68	68	1"	51	1"	51	89

HPTL Series

Top Link Hydraulic Cylinders



ORDERING INFORMATION



1. Choose Series Designation

HPTL	Screwed Rod Cap
-------------	-----------------

2. Select Bore Diameter

20	2.0" Bore Diameter
25	2.5" Bore Diameter
30	3.0" Bore Diameter

3. Select Stroke

080	8.00" Stroke
100	10.00" Stroke
120	12.00" Stroke
M0400	400mm Stroke
M1200	1200mm Stroke

4. Port Location

D	Dual Port
----------	-----------

5. Rod Diameter

125	1-1/4" Rod Diameter
150	1-1/2" Rod Diameter

6. Port Size and Type

B	3/4" UNO
----------	----------

7. Pin Hole Size (Omit if Standard)

1	CAT1 0.75"
----------	------------

8. Select Cushion (Omit if Standard)

2P	2PAC Gloss Black Paint
-----------	------------------------



HPTL Series

Top Link Hydraulic Cylinders



Spare Parts

Seal Kits

Stock No.	Cylinder Type	Bore Size	Shaft Size
HPSK20	HPTL Screwed	2.00"	1.25"
HPSK25	HPTL Screwed	2.50"	1.50"
HPSK30	HPTL Screwed	3.00"	1.50"

