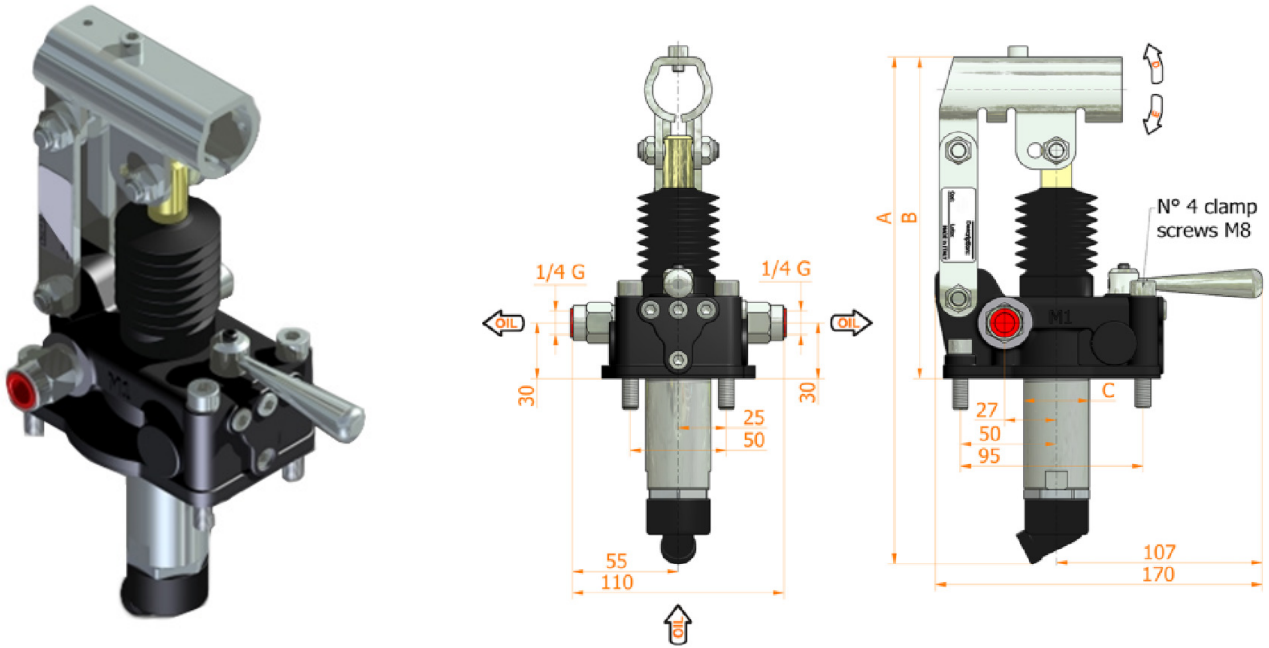
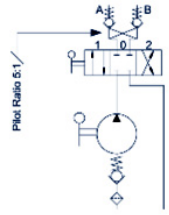


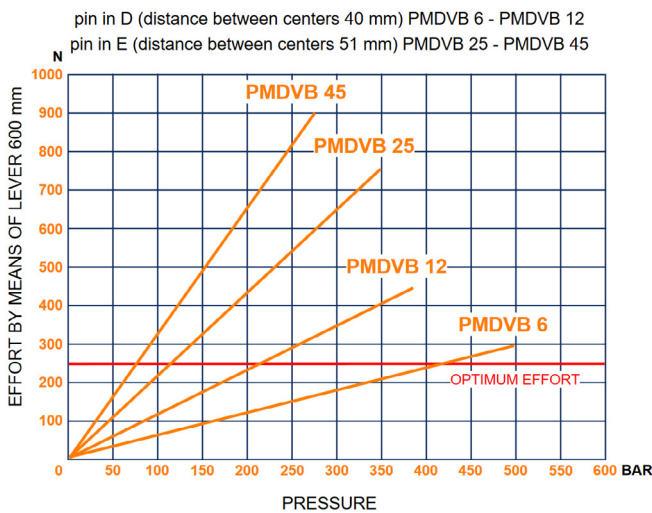


PMDVB Series

Double Acting - Hand Pump (Tank Mount)
With 4/3 Flow Divider (Closed Centre) &
Dual Pilot Check Valve



Effort Diagram



Specifications

- Double acting hand pump for a double acting cylinder
- With 4/3 flow divider closed centre
- With dual pilot check valve with brakes
- Cast iron body
- Piston treated with Niploy
- White zinc plated support lever
- Lever connection Ø 27
- White zinc plated external parts
- Oil tank mounting kit included
- With hydraulic brakes to operate under 50 bar pressure

Stock No.	Displacement cm ³	A mm	B mm	C mm	D °	E °	Actual Displacement cm ³	Pressure (Bar)		Mass (KG)
								Optimal	Max	
PMDVB6CCS	6	253	166	34	26	31	6.970	420	500	3.400
PMDVB12CCS	12	253	166	34	26	31	12.095	220	380	3.400
PMDVB25CCS	25	273	172	34	30	30	25.280	120	350	3.450
PMDVB45CCS	45	283	172	40	45	33	44.532	80	280	3.500