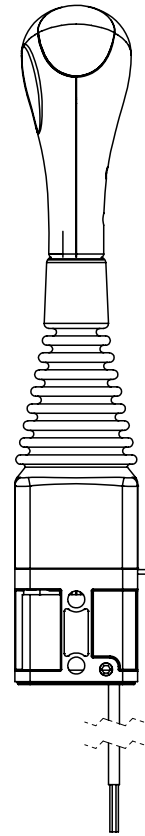
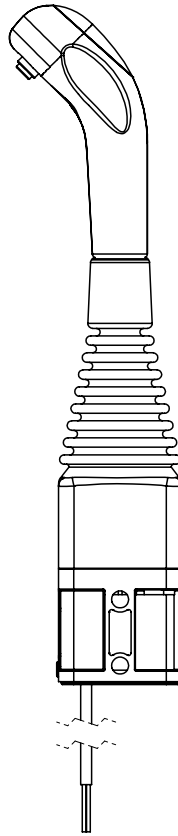
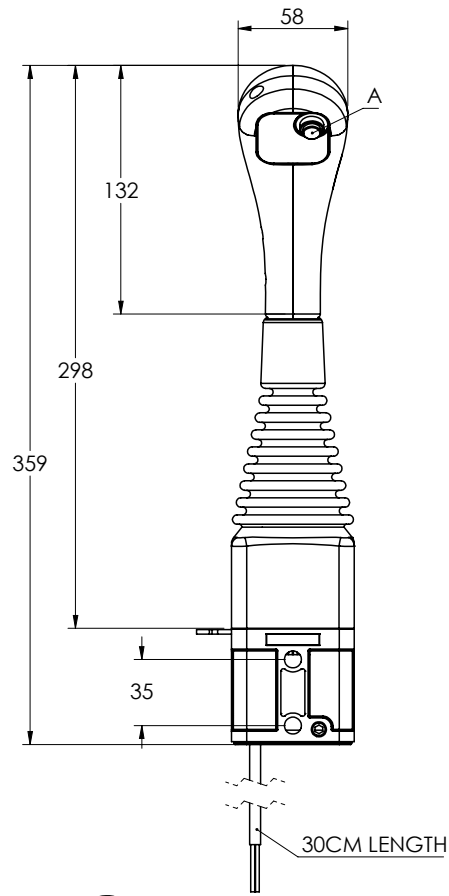


THIS DOCUMENT CONTAINS PROPRIETARY INFORMATION AND IS SUBMITTED IN CONFIDENCE. THIS DOCUMENT IS SUBJECT TO RETURN UPON REQUEST. THE INFORMATION CONTAINED HEREIN IS NOT BE USED IN ANY WAY DERIMENTAL TO THE INTERESTS OF HYPOPOWER.

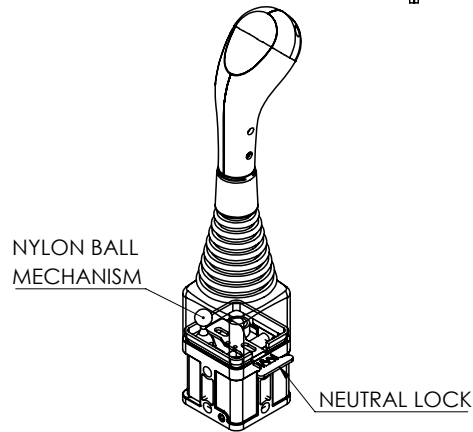
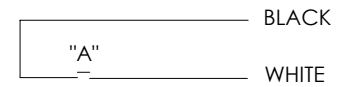


MICROSWITCHES SPECIFICATION "A"	
MAX CURRENT	VOLTAGE RATING WITH RESISTIVE LOAD
3A	250V AC
6A	125V AC
3A	30V DC
CONTRACT RESISTANCE: 10 mΩ	
INSULATION RESISTANCE: 1000 MΩ MINIMUM AT 500V DC	
MECHANICAL LIFE: 100000 CYCLES	
ELECTRICAL LIFE: 25000 CYCLES AT MAX POWER LEVEL	
OPERATING TEMPERATURE: -30°C TO +85°C	

LEVER SPECIFICATION
14+14mm TRAVEL STROKE
LEVER RATIO 6.5:1

SUITS CABLE SERIES
IC741907
IC741910

WIRING SCHEMATIC:



GENERAL TOLERANCES ISO 2768-mk SIZE ISO14405 (E)		DEVIATIONS LIMIT ALLOWED FOR LINEAR DIMENSIONS		OVER TO TOLERANCE		0.5	3	6	30	120	400	1000
REF: BREAK ALL SHARP EDGES		DEVIATIONS LIMIT ALLOWED FOR ANGLE DIMENSIONS		LENGTH OF THE SHORTER SIDE OF THE ANGLE		3	6	30	120	400	1000	2000
MADE FROM:		LINEAR DIMENSIONS (mm)		TOLERANCE		±0.1	±0.1	±0.2	±0.3	±0.5	±0.8	±1.2
PAINTING:		SURFACE QUALITY ISO 1302		TOLERANCE CLASS		0	10	50	120	400	OVER 400	
HEAT TREATMENT:		HARDNESS:		COATING:		±1°	±0°3	±0°2	±0°10'	±0°5'	±0°5'	
SIZE A4		SCALE 1:4		MATERIAL: ALUMINUM DIE CAST		BLACK		CROSS HYDRAULICS PTY LTD				
SHEET OF 1/1		DESCRIPTION: JOYSTICK WITH ERGO GRIP ONE BUTTON		PART NO.: 6019		DWG NO.: 6019-DIM						

REVISIONS					
REV.	DESCRIPTION	DRAWN BY	DRAWN DATE	CHECKED BY	CHECKED DATE
0	INITIAL REVISION	TA	28/03/2023		28/03/2023