

BK3 / SK3 Series

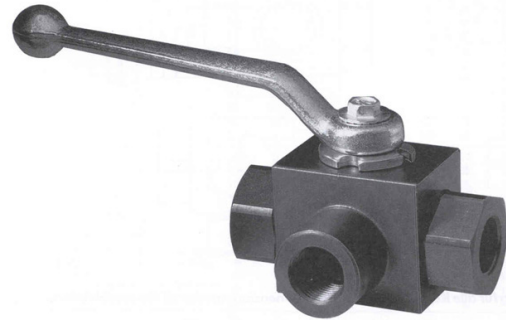
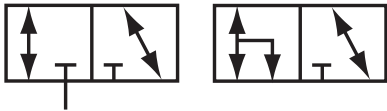


3 Way Ball Valve

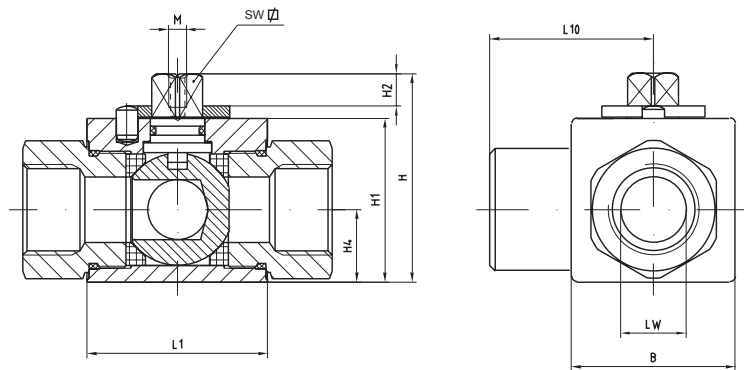
Features

- BK3 Series - Block type construction
- SK3 Series - Forged construction
- Working pressures to 400 bar*
- Three way ball valves are manufactured from high quality carbon steel.
- They can be utilised in a circuit to divert a single stream of fluid into one circuit or another.
- L configuration on the ball circuit is standard while T configuration is available as an alternative.
- Standard seals: 1) Polyamide - ball seals, 2) Buna N spindle seal. Other seal combinations available on request.

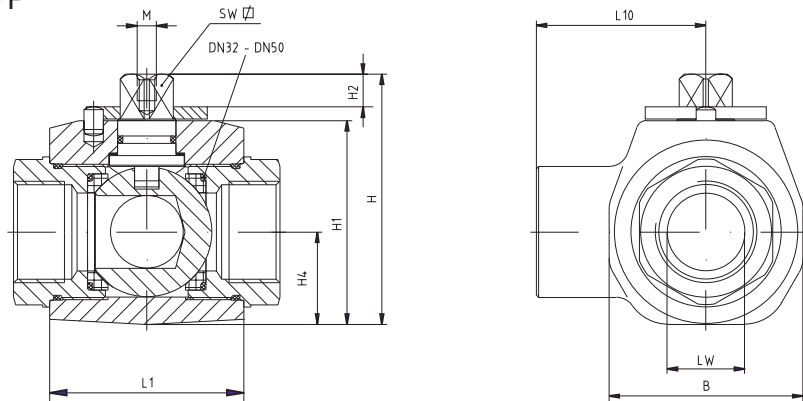
***Note:** Working pressure of 1/2" BSPP ported valves and larger is 350 bar.



BK3 - Block Style



SK3 - Forged Style



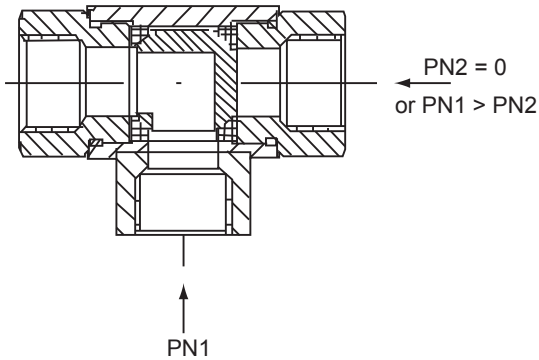
Dimensional Details

Code	Type	Port BSPP	Working Pressure Bar	L1 mm	B mm	H mm	H1 mm	H2 mm	H4 mm	M mm	SW mm
BK3	14	1/4"	400	36	26	43.5	32	8	13	M5	9
BK3	38	3/8"	400	43	32	49	3	8	17.5	M5	9
BK3	12	1/2"	350	48	35	51	40	8	17.5	M5	9
SK3	34	3/4"	350	61	49	73	57	12	24.5	M6	14
SK3	100	1"	350	65	60	76	60	12	26.5	M6	14
SK3	114	1-1/4"	350	80	76	104	84	13.5	38	M8	17
SK3	112	1-1/2"	350	85	83	111	92	13.5	41.5	M8	17
SK3	200	2"	350	100	100	130	111	13.5	50	M8	19

BK3 / SK3 Series



3 Way Ball Valve



The sealing function of BK3/SK3 standard valves is only given when the pressure standing on the closed port is zero or if the pressure between the connected ports is higher than the pressure on the closed port. **No shut-off position** for the third port is possible. To apply **pressure from all ports** (PN1=PN2), a special variant is required. Add **A** to the order code.

How to Order

Code	Type
BK3	12

Configuration	
L	<p>'L' Configuration</p>
T	<p>'T' Configuration</p>

Connection	DN mm	LW mm	D	RA mm	L mm	L10 mm	i mm	SW1 mm	Weight kg
01 BSP female thread 	6	6	G 1/4	-	69	32	12	22	0.40
	10	9	G 3/8	-	73	35	12	27	0.55
	13	11.5	G 1/2	-	85	37	14	30	0.70
	20	18	G 3/4	-	96	47	17	41	1.55
	24	22	G 1	-	113	55	19	46	2.10
	32	30	G 1-1/4"	-	110	70	20	60	3.40
	40	35	G 1-1/2"	-	120	72	24	70	4.20

BKHU Series

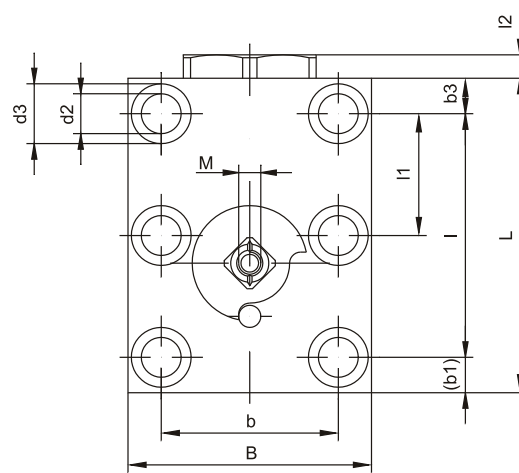
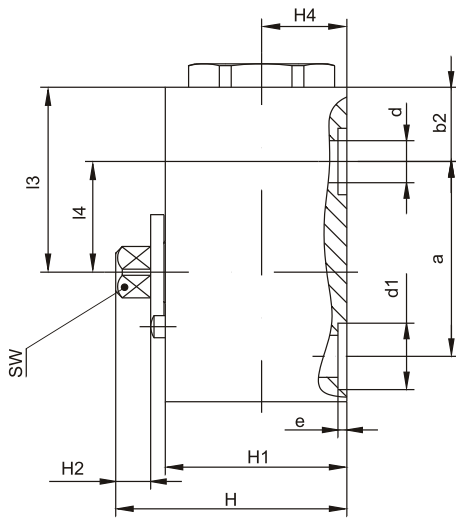


2 Way Ball Valve - Manifold Mount



Features

- Working Pressures to 500 bar. Refer to table below for actual size.
- Made of high quality carbon steel.
- Standard seals: 1) Polyamide - Ball seals, 2) Buna N - Spindle seals. Other seal combinations available on request.



Dimensional Details

Dn mm	PN bar	LW mm	a mm	B mm	b mm	b1 mm	b2 mm	b3 mm	d mm	d1 mm	d2 mm	d3 mm	H mm	H1 mm	H2 mm	H4 mm
6	500	6	39	49	35	7.5	9.5	7.5	6	13	8.5	-	49	38	8	19
10	500	10	44	55	40	8	17	8	9.5	15	9	13.5	52	41	8	19
13	500	13	58	60	45	7.5	24.5	8	13	20	9	13.5	61	50	8	27
20	400	20	69	70	51	11	29	10	20	30	10.5	17.5	86	70	12	38.5
25	400	24	81	80	60	11	31	11	24	35	13	18.5	96	80	12	45
32	315	32	96	100	78	12	40.5	17	32	40	13	19.5	119	100	13.5	54
40	315	38	112	130	95	28.5	42.5	42.5	38	48.5	17	25	119	100	13.5	50
50	315	48	136	150	112	38	47	47	48	55	22	33	134	115	13.5	54

Dimensional Details cont.

e mm	L mm	I mm	I1 mm	I2 mm	I3 mm	I4 mm	SW mm	M	Weight kg
2	57	42	-	6	31.5	22	9	M5	1.1
2	71	55	-	6	42	25	9	M5	2.0
2	98.5	83	41.5	7	56	31.3	9	M5	2.3
3	118	97	48.5	7	67	38	14	M6	3.4
3	137	115	57.5	8	74	43	14	M6	5.2
3	165.5	136	68	10	90.5	50	17	M8	10.5
3	183	112	56	10	98.5	56	17	M8	15.1
3	221	136	68	20	115	68	17	M8	24

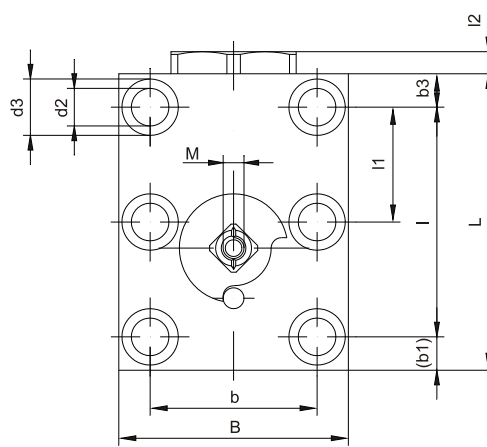
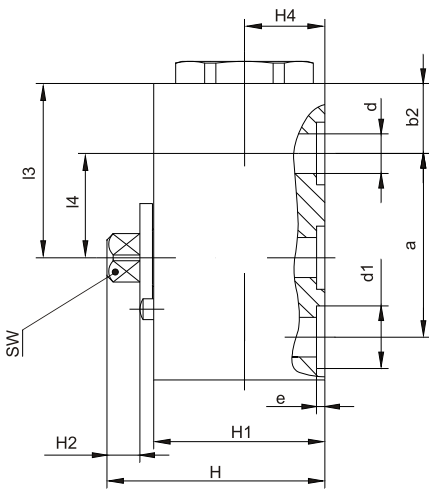
BKHU-3 Series

3 Way Ball Valve - Manifold Mount



Features

- Working Pressures to 500 bar. Refer to table below for actual size.
- Made of high quality carbon steel.
- Standard seals: 1) Polyamide - Ball seals, 2) Buna N - Spindle seals. Other seal combinations available on request.



Dimensional Details

Dn mm	PN bar	LW mm	a mm	B mm	b mm	b1 mm	b2 mm	b3 mm	d mm	d1 mm	d2 mm	d3 mm	H mm	H1 mm	H2 mm	H4 mm
6	500	6	39	49	35	7.5	9.5	7.5	6	13	8.5	-	49	38	8	19
10	500	9	44	55	40	8	17	8	9.5	15	9	13.5	52	41	8	19
13	500	11.5	58	60	45	7.5	24.5	8	13	20	9	13.5	61	50	8	27
20	400	18	69	70	51	11	29	10	20	30	10.5	17.5	86	70	12	38.5
25	400	22	81	80	60	11	31	11	24	35	13	18.5	96	80	12	45
32	315	30	96	100	78	12	40.5	17	32	40	13	19.5	119	100	13.5	54
40	315	35	112	130	95	28.5	42.5	42.5	38	48.5	17	25	119	100	13.5	50
50	315	44	136	150	112	38	47	47	48	55	22	33	134	115	13.5	54

Dimensional Details cont.

e mm	L mm	I mm	I1 mm	I2 mm	I3 mm	I4 mm	SW mm	M	Weight kg
2	57	42	-	6	31.5	22	9	M5	1.1
2	71	55	-	6	42	25	9	M5	2.0
2	98.5	83	41.5	7	56	31.3	9	M5	2.3
3	118	97	48.5	7	67	38	14	M6	3.4
3	137	115	57.5	8	74	43	14	M6	5.2
3	165.5	136	68	10	90.5	50	17	M8	10.5
3	183	112	56	10	98.5	56	17	M8	15.1
3	221	136	68	20	115	68	17	M8	24

The sealing function of BKHU-3 standard valves is only given when the pressure standing on the closed port is zero or if the pressure between the connected ports is higher than the pressure on the closed port.

