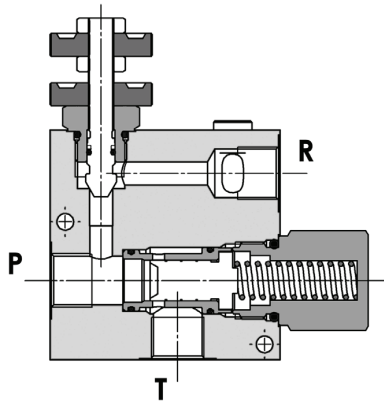


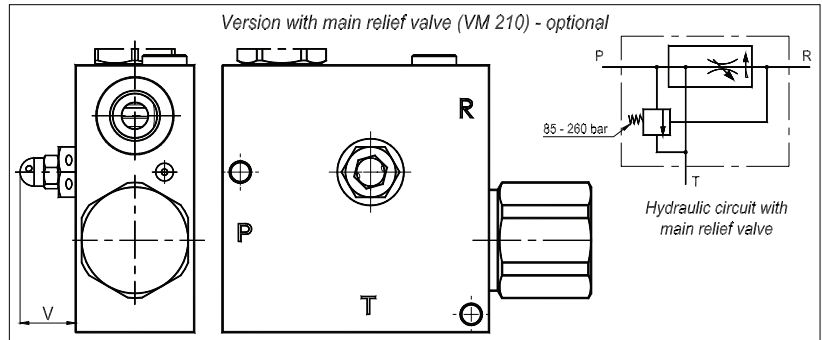
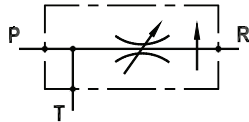
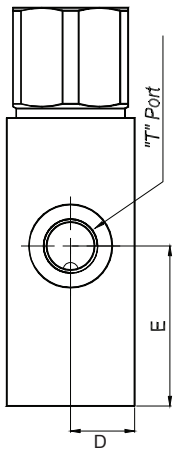
FPRF Series

Flow Control Valves

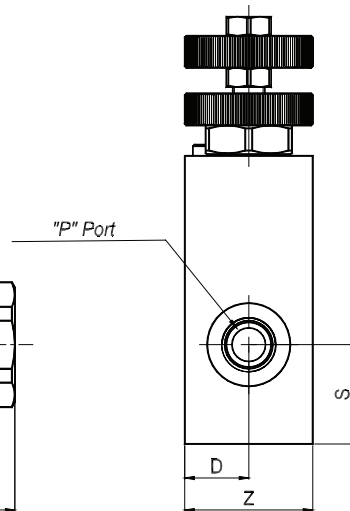
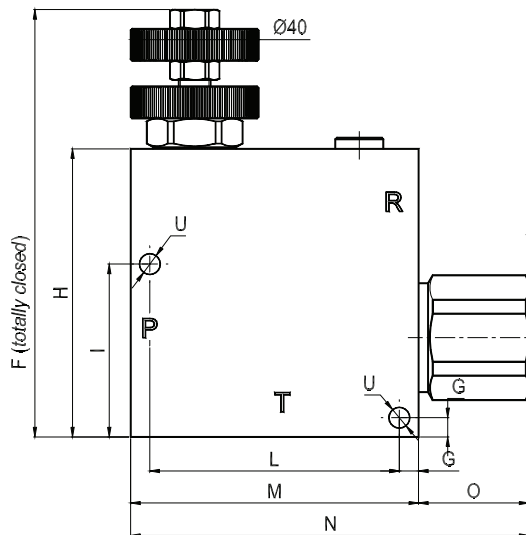
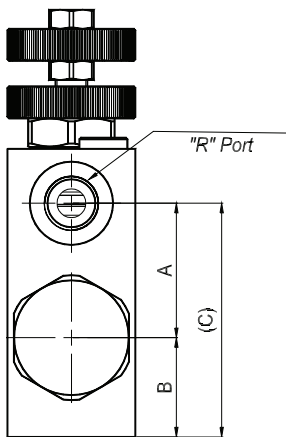


Features

- FPRF series valves are an inline three way pressure compensated flow regulator, with exceeding flow to tank.
- Standard bodies are manufactured from aluminium, steel bodies available on request. Internal parts are in hardened steel.
- Rated flow
 - 50 l/min with 30 l/min in 'R' port for 38/"
 - 90 l/min with 50 l/min in 'R' port for 1/2"
 - 150 l/min with 90 l/min in 'R' port for 3/4"
 - 240 l/min with 150 l/min in 'R' port for 1"
- Maximum pressure 210 bar for aluminium bodies, 315 bar for steel bodies.
- Standby pressure - 5 bar.



Standard version with ring (G)



Type	A mm	B mm	C mm	D mm	E mm	F mm	G mm	H mm	I mm	L mm	M mm	N mm	O mm	P BSPP	R BSPP	S mm	T BSPP	U mm	V mm	Z mm	Weight Kg
FPRF 3/8	42	31	73	20	50	133.5	6	90	54	78	90	126.5	36.5	3/8"	3/8"	31	3/8"	6.5	18.8	40	1.155
FPRF 1/2	42	31	73	20	50	133.5	6	90	54	78	90	126.5	36.5	1/2"	1/2"	31	1/2"	6.5	18.8	40	1.130
FPRF 3/4	50	35	85	25	66	155.5	8	110	63.5	94	110	144.7	34.7	3/4"	3/4"	35	3/4"	8.5	16.8	50	2.000
FPRF 1	63	47	110	35	70	189.5	10	140	90	110	130	150	20	1"	1"	47	1"	10.5	9	70	3.620

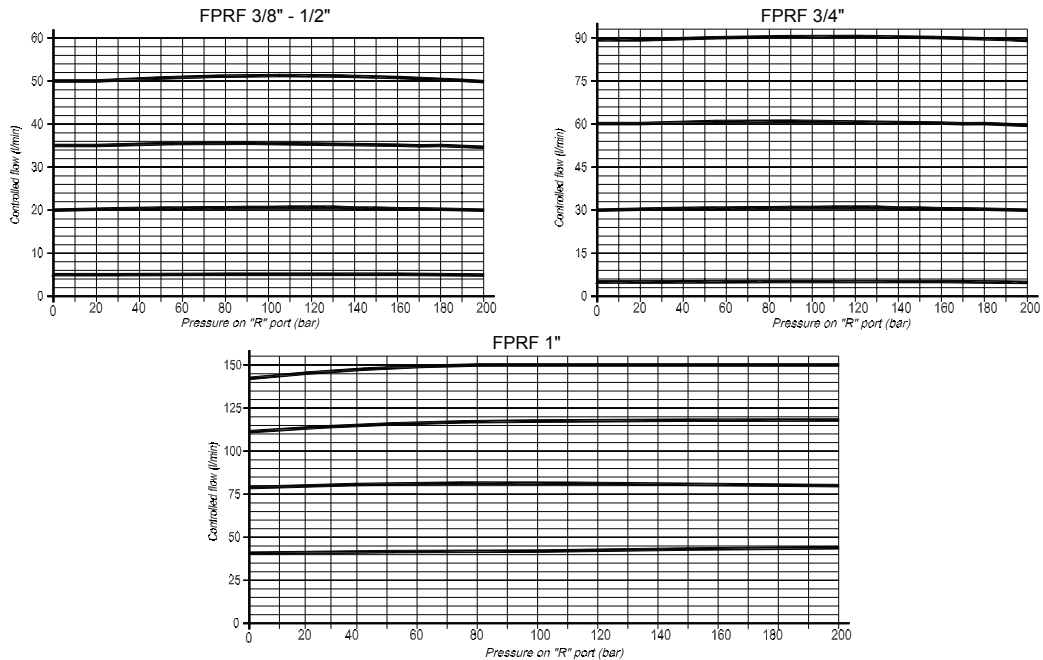
FPRF Series

Flow Control Valves

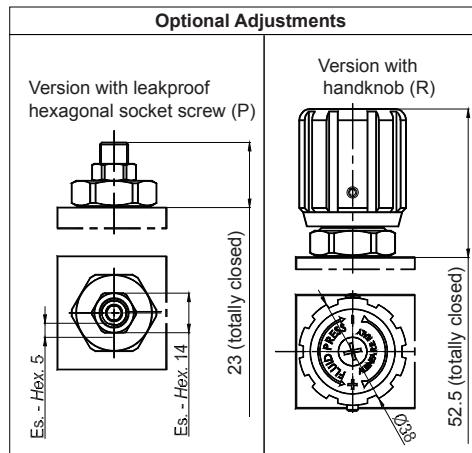


COMPENSATION CURVES

Oil viscosity 24 mm²/sec. (3,5 °E)
Temperature 50 °C



Optional Adjustments



HOW TO ORDER

